

Quick Reference Guide

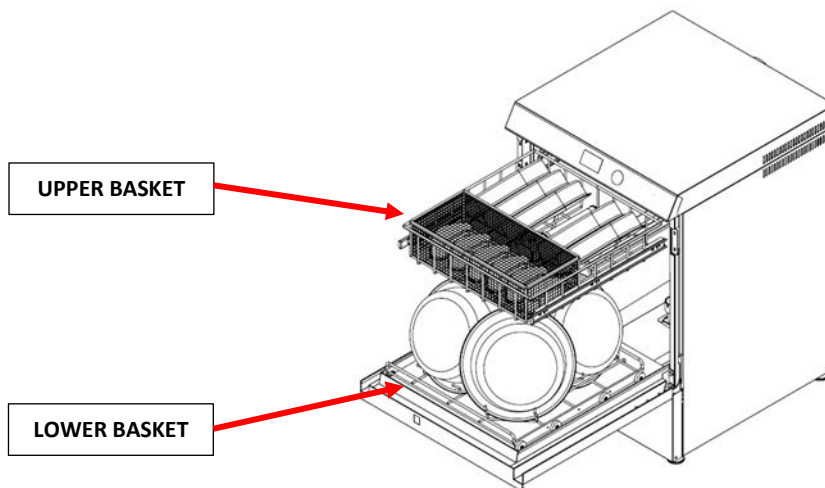


For the safe use of this device the responsible body should ensure that all operators are adequately trained to operate and maintain the device in its safe use.

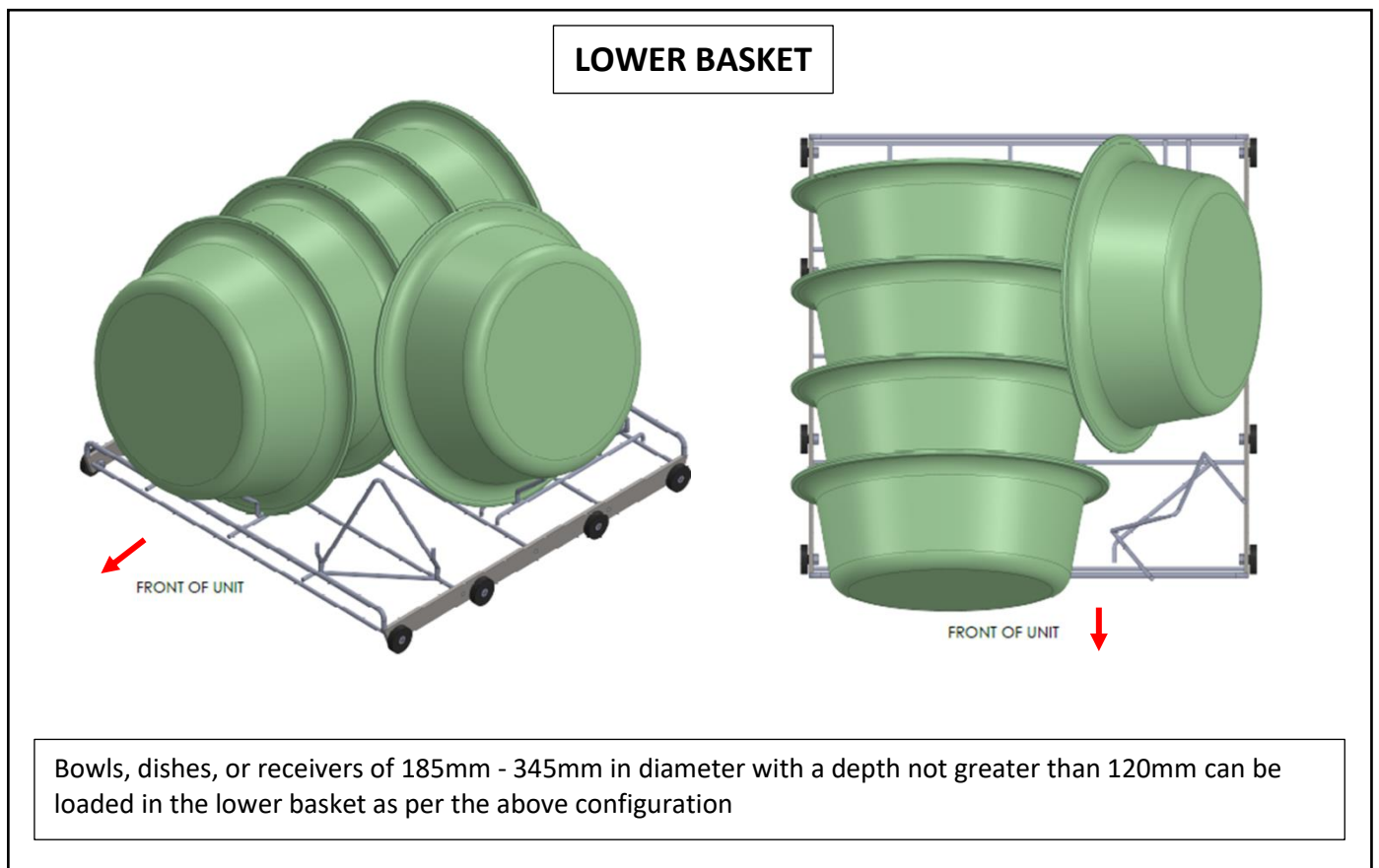
1.0 Loading

The Malmel Front Loading Utensil Washer Disinfector has two baskets for processing of re-useable medical devices of the type listed as per the design parameters. The lower basket is intended to process bowls of various sizes, while the top basket is intended to process a combination of kidney dishes and other small utensils.

Open door and pull out basket to be loaded.



1.1 Lower basket configuration



Quick Reference Guide

1.2 Upper basket configuration

UPPER BASKET

Large Kidney Dish Rack

FRONT OF UNIT

Utensil Basket (Optional)

The upper basket is split into two sections, a rack in the rear half for kidney dishes from 160-300mm. And a front section which can accommodate smaller bowls, gallipots and receivers. An optional utensil basket can also be used for smaller items.

NOTE: Take care when loading the top basket to ensure nothing protrudes below the basket that could potentially foul the wash arm and prevent it from turning.

2.0 Turning on

If WDF is "OFF", press the "Power Button" to turn on the unit. Unit will display "READY" once power is on and door is closed.

Power Button

Start Button

Utensil Washer Disinfector

Temp 21.4°C Cycle Normal
Ac Ready
Dish Temp 90

Back Select Start
Read Operating Instructions Before Use

Status LED

- ON
- OFF
- DOOR OPEN

Cycle Indication Halo

- Flashing = In Cycle
- Solid = Cycle Complete

2.1 Starting a Cycle

Once unit is loaded, ensure door closed and unit is powered on and displaying "READY", press "Start" to commence a cycle. Unit will lock door, Cycle indication LED around start button will flash green and display will change to Cold Rinse.