
Malmet (Australia) Pty Ltd



Head Office & Customer Service

9-11 McKay Avenue

PO Box 373

LEETON NSW 2705

Phone: +61 2 6953 7677

Email: info@malmet.com.au

ABN 95 001 717 791

Drying Cabinet



Operation, Maintenance and Installation Manual

Serial Number:.....	Supplied to:
Date Installed:.....	Installed by:

*Note: Due to Malmet's Policy of continuous product improvement;
design and technical specifications are subject to change without notice.*

Table of Contents

Foreward.....	3
Quality Policy	3
Certifications.....	3
Safety Instructions.....	4
Design Parameters.....	5
Section A – Unit Operation	6
• Before starting the Unit.....	6
• Starting the Unit.....	6
• Changing the set temperature (lock out feature) AUTHORISED PERSONNEL ONLY	6
• Thermostat Over Temperature Limiter	7
Section B – Unit Maintenance	7
• Preventative Maintenance	7
• Trouble Shooting Guide.....	7
• Wiring Diagram.....	8
Section C – Unit Installation	9
• Service Connections.....	9
• Wall Recessed Units	9
• Unit Specifications.....	10
Malmet (Australia) Pty Ltd	Error! Bookmark not defined.
Warranty Statement	Error! Bookmark not defined.



Operation, Maintenance and Installation Manual

Foreward

In order to obtain maximum life and efficiency from your Malmet Drying Cabinet and aid in the safe operation of the unit, please read and understand this manual thoroughly and follow all instructions before operating the unit.

The specifications supplied in this manual were in effect at the time of publication. However, owing to Malmet (Australia)'s policy of continuous improvement, changes to these specifications may be made at any time without notice on the part of Malmet (Australia).

Quality Policy

Malmet (Australia) is Quality Certified to ISO 9001, AS 3902, NZS 9002 and guarantees the quality of this product. Should you have any problems with your machine, contact the company from whom you purchased it, or Malmet (Australia).

Certifications

- ARTG Registration Number 188763 Class 1
- Electrical Safety: Certificate of suitability ASA13011501 **AS/NZS 60335.1:2011**
- EMC Compliance **IEC 60601-1-2 Ed 4.0 Emissions CISPR11**

Malmet (Australia) Pty Ltd

Head Office and Customer Service

9-11 McKay Ave

PO Box 373

LEETON NSW 2705

AUSTRALIA

Telephone: + 61 2 6953 7677

E-mail: info@malmet.com.au

Web Site: www.malmet.com.au



Safety Instructions

WARNINGS



Be aware of 240 Voltage.



Disconnect power when serving.



Mains power GPO must be in an accessible position so device can be isolated from mains power during service.



If the supply cord is damaged it must be replaced by a special cord or assembly from the manufacturer or its service agent.



Do not overload shelves.



Do not obstruct Air Inlets or hot air outlet.



All cabinets should be located on a level floor surface and should never be operated on a sloping surface.



Install temperature probes, Thermostat over temp limiter and element thermal over temperature cut-out correctly.



Design Parameters

The cabinet is designed to dry surgical instruments and metalware, respiratory tubes or other tubing, face masks, anaesthetic bags and other ancillary equipment.

A total of six (6) stainless steel shelves are provided. The shelves are removable, with 6 positions including the base.

The cabinet is insulated with 25mm approved insulation.

Magnetic door latches are fitted with toughened bi-parting glass doors and gasket to ensure an effective seal when the doors are closed.

All external panels are fabricated from satin finish stainless steel 0.9mm thick, 304/4 type.

A centrifugal fan is provided to circulate air throughout the chamber.

A solenoid operated damper is provided to allow air to be exhausted from the chamber. An inlet for make up air is provided.

The heating bank (located in the air duct leading to the chamber) is controlled by a micro-processor, which can be incremental, set to 70°C.

The temperature of the air in the chamber is indicated on the controller mounted on the front panel.

Heating element over temperature cut out protection.

Section A – Unit Operation

NOTE

The Drying Cabinet is factory set to 70°C

Before starting the Unit

The unit should be run initially on a power supply not protected by an earth leakage circuit breaker for approximately three hours. This will allow any moisture in the heaters to dry out. The unit can then be connected to an earth leakage circuit breaker protected circuit if required.

Plug into standard 240V outlet.



NOTE: The unit is recommended for use in a controlled temperature environment.

Starting the Unit

Power ON, the preset temperature of the cabinet appears for approximately five seconds. After five seconds the unit switches to display the actual cabinet temperature.



Changing the set temperature (lock out feature) AUTHORISED PERSONNEL ONLY

Authorised operators can change the temperature by holding the up and down temperature buttons at the same time for a total of 5 seconds. The temperature can then be adjusted. The setting will revert back to tamper proof 5 seconds after the temperature is adjusted or if the up and down temperature buttons are not pressed within 5 seconds.

The unit has a built in electronic over temperature cut out which will switch off the elements if the selected temperature is exceeded by 5°C, and 'Ot' will flash on the display panel. (See Fig 1)

Thermostat Over Temperature Limiter

Note: This safety cut out is an automatic reset device.

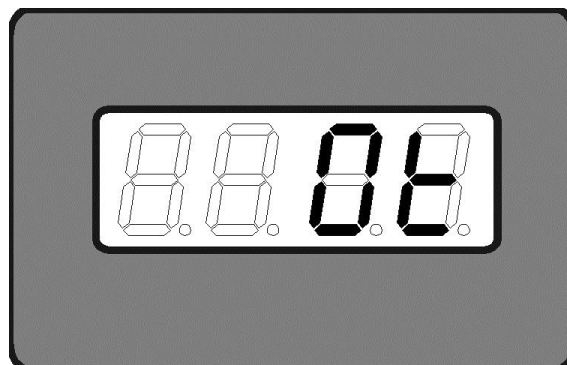



Fig 1

Place instruments and utensils upside down where applicable.



Section B – Unit Maintenance

Preventative Maintenance

- Daily Wipe out inside doors and chamber with warm water and detergent.
Wipe over outside panels with stainless steel cleaner.
- Weekly Remove filter on air intake (top right hand side panel) and wash in warm water and replace when dry.
- Half Yearly Check electrical connections. Remove top panel and clean off accumulated dust and dirt.
-  **Note:** Disconnect power before removing top panel.
- Yearly Check and if necessary replace rubber in tube holding trays.

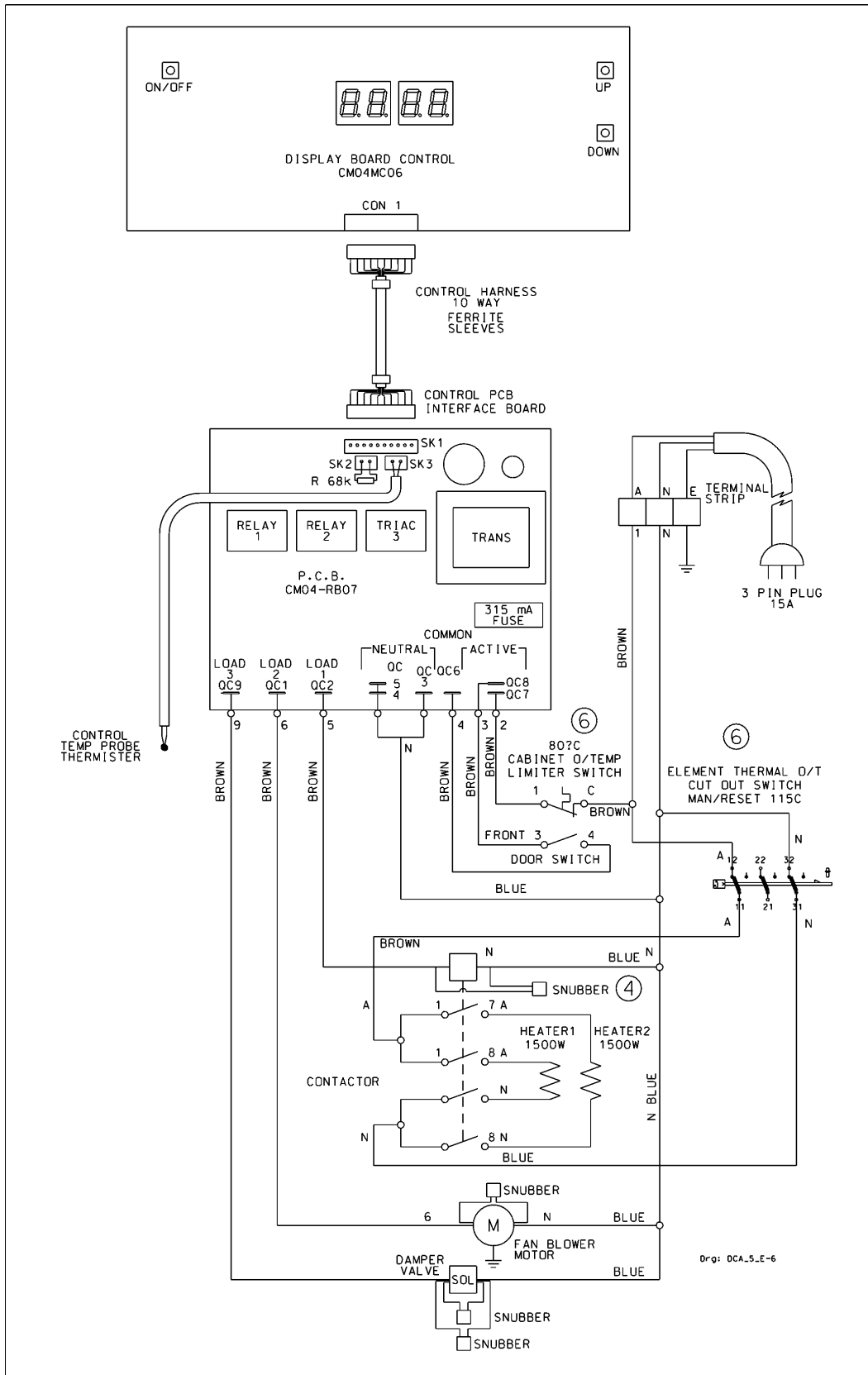
Trouble Shooting Guide

Problem	Probable Cause	Suggested Remedy
Display not on or won't turn on.	No Mains power supply. Power point not turned on. Display will not turn on. Faulty display board. Interconnecting harness failure. Relay board fault.	Check power supply and lead plugged in. Check power switched on. Press Standby button. Switch off power supply at main and Call for Service. Switch off power supply at main and Call for Service. Switch off power supply at main and Call for Service.
Display turns on. (Runs for approximately ½ - 1 hour then turns off).	Fan failure.	Switch off power supply at main and Call for Service.
Display is on but unit not heating.	Heating element failure. Relay board failure. Cabinet thermostat O/T limiter auto reset open circuit Element O/T Thermal cut-out manual reset open circuit.	Switch off power supply at main and Call for Service.
Display indicates Ot	Fan Failure. Heating element on. Continuously unable to switch off. (Relay Board Failure)	Switch off power supply at main and Call for Service.
Display indicates O/C	Control Temperature Thermistor is broken or unplugged.	Switch off power supply at main and Call for Service.
Display on but unit cooling down.	Heating element failure. Cabinet thermostat O/T limiter auto reset open circuit Element O/T Thermal cut-out manual reset open circuit. Relay board failure	Switch off power supply at main and Call for Service. Switch off power supply at main and wait 1 minute. Switch mains on. Switch on unit. If problem re-occurs, Call for Service.



Operation, Maintenance and Installation Manual

Wiring Diagram





Section C – Unit Installation

The cabinet must be installed level on adjustable legs.

Service Connections

Provide 98mm OD duct to atmosphere.

Electrical Connection – 240 Volt 15 Amp cycle.

Plug into 15 Amp G.P.O.

Wall Recessed Units

Plug into standard 240 Volt outlet (plug shall be accessible after installation).

Outside dimensions pass through – 1850H x 755W x 690D.

Cabinet clearance space dimension (eg at least 150mm per side and 500 mm on top) are to be provided for the appliance.

Drying cabinet sides are to fit through the wall cavity ensuring that the power cord and filter are not obstructed. Placement should be typically 150mm from the operating panel side doors. A 5-10mm gap between the side panel and the timber is required.

Clearance on the top of the Drying Cabinet needs to be typically 500mm. This allows access to replace the electric motor, heating elements etc. Allowing for this 500mm may require the facility to install a false panel in the dividing wall.

All electrical service work must be accessible through the top of unit.




Position the unit in the cavity, ensuring that the doors can be open and shut with clearance for the doors at hinge point.



NOTE: This appliance is not intended for use by young children or infirmed persons.

If the supply cord is damaged, it must be replaced by the manufacturer or its service agent or a similarly qualified person in order to avoid a hazard.

Unit Specifications

Electrical Rating	Volts	240V
	Phase / Hz	1 ph / 50 Hz
	Amps	13.8 Amps
Environment operating conditions	Temperature Relative Humidity	+10°C to +25°C +30% to +70%
Electrical Connection	IEC Power Cord with 3 Pin Plug	15 Amp (into standard GPO 240 Volt)
Elements	Rated	1500 watt x 2
	Over temp cut out protection	Manual reset thermal cut-out switch NC 115°C Action 2 B,K
Control PCB	Microprocessor Control Relay	PCB (SKCM325) Access via compatible RS232
	Overtemp Protection	Electronic cutout @ 5°C above set point
Cabinet Temperature Control	Incremental 1°C – 70°C	Factory set at 70°C
Cabinet Secondary Overtemp Protection	High Limit 80°C	Auto reset thermostat factory set 80°C Action 2 B
Materials	Doors	Bi-parting, protruding 330mm out when open.
	Door Gasket	Silicon Rubber
	Cabinet	304/4 stainless steel
Air Circulation	Air Vent spigot 98Ø outside	Automatic Damper Control, to be vented to outside atmosphere.
	Air Filter (mm)	150mm x 150mm x 15mm - washable
	Air Bleed Off	Automatic Damper Control
Environment conditions Transport and Storage	 Fragile  Keep away from rain  Do not stack	



Malmet (Australia) Pty Ltd

Website: www.malmet.com.au

Warranty Statement – Australia Only

Subject to the following conditions, we provide, from the date of purchase, the following warranty on Malmet units and spare parts:

- Functional components found within the unit to be defective in workmanship or material will be repaired or replaced free of charge subject to the periods of warranty specified.
- A decision regarding whether the defective components will be repaired or replaced will be determined at the sole discretion of Malmet (Australia) Pty Ltd (“**Malmet**”) or its authorized agents or representatives.
- The structural warranty covers any structural components within the unit, which fail to perform their intended function due to faulty manufacture or deterioration within the warranty period.

This warranty only covers products manufactured by Malmet.

This warranty covers Australia Only.

Parts replaced in units under warranty are warranted for the balance of the original warranty period for that unit.

Malmet Units	
Unit Components	Parts & Labour
Structural Guarantee	1 Year from Date of Purchase
All other components	1 Year from Date of Purchase of unit
Malmet Spare Parts	
1 year from Date of Purchase	

This warranty is provided, and operates in addition to, the statutory warranties Malmet provides you as a consumer under the Australian Consumer Law or by virtue of any other applicable legislation.

The installer is responsible for the correct installation, start up and demonstrating the operation of the product. They are also responsible for issuing the relevant certificates of compliance (these may differ from state to state).



Operation, Maintenance and Installation Manual

CONDITIONS AND EXCLUSIONS

- Equipment must be installed according to our instructions (outlined in our Operation, Maintenance and Installation Manual) and operated to the purpose it was designed.
- To the extent permitted by law, this warranty shall not cover damage, malfunction or failure resulting from accident, misuse or misapplication, improper or unauthorised repair, neglect or modification or use of unauthorised replacement parts or accessories, inclusive of detergent, or improper voltage. The warranty shall be void if the serial number is removed or altered.
- Parts damaged in transit back to Malmet Leeton due to poor packaging could result in warranty claim being rejected.
- Any part tampered with or which has been altered by unauthorised repairs and/or modifications will be rejected under a warranty claim.
- Reasonable access must be allowed for maintenance. If any additional equipment is needed to provide access to the unit, this must be provided (and paid for) by the owner.
- It is the owner's responsibility to provide safe access to the unit. Malmet, or any of its authorised service outlets, may refuse to perform maintenance or warranty work if access is unsafe, as determined by Malmet or any of its authorized service outlets at their sole discretion (acting reasonably).
- Should a warranty claim be rejected you will be advised in writing with a full explanation of our reasons.
- Malmet have a Warranty Claim Procedure that is fair to our customers and provides an efficient system of replacement and/or repair of faulty parts. If at any time you believe we are not meeting our commitment to you please contact Malmet Head Office via email: info@malmet.com.au
- To the extent permitted by law, no responsibility will be accepted for outside elements including, but not limited to storms, pest and vermin that may cause damage to the unit.
- To the extent permitted by law, no responsibility will be accepted for damage incurred as a result of, or incidental to, electrical surges or brown outs or for any other consequential damages.
- If there is no certificate of compliance for plumbing or electrical, Malmet reserves the right to refuse service on non-compliant installations.
- To the extent permitted by law, claims for damage to contents, carpet, ceilings, foundations or any other consequential loss either direct or indirect resulting from, power spikes, incorrect operation, incorrect installation, faulty product or any other cause, are excluded.
- This warranty, and to the extent permitted by law, any warranties owed by Malmet under the Australian Consumer Law or other applicable legislation, are not transferrable and cannot be sold, assigned or transferred in any other way from the purchaser to any other person.
- To the extent permitted by law, unauthorised use of any parts that were not supplied or approved for use in the applicable unit by Malmet will result in this warranty and any warranty claims applicable to that unit being void.
- Warranty labour (service work) shall **not** include units located outside of city metropolitan areas of Melbourne, Sydney, Adelaide, Perth and Brisbane. Costs outside these areas shall be borne by the Customer. The Customer shall be notified of this prior to the warranty call out.

To the extent permitted by law, a charge will be made for work done or a service call made where:

- There is no default apparent with the unit, as determined by Malmet or its authorized representative or agent at their sole discretion (acting reasonably).
- The defective operation of the unit is due to failure of electricity or water supply.
- Defects are caused by neglect, incorrect application, abuse or by accidental damage of the unit.
- An unauthorised person has attempted to repair the unit.
- Harsh environmental situations including, but not limited to, water quality that may cause the water tank damage cannot be considered warranty.



Operation, Maintenance and Installation Manual

HOW TO MAKE A CLAIM UNDER THIS WARRANTY

If you believe there is a defect in a unit you have purchased from Malmet, you must notify Malmet in writing of such defect, by sending an email (“**Notice of Defect**”) to info@malmet.com.au prior to the expiration of the applicable warranty period set out in this warranty.

For the avoidance of doubt, Malmet must receive your Notice of Defect prior to the expiration of the warranty period.

To the extent permitted by law, Malmet will not reimburse you for any expense you incur in claiming or attempting to make a claim for repair or replacement of a component under this warranty.

Date Commissioned:

Warranty Expiry Date:

Sold To:

For Service Contact:

PROOF OF PURCHASE

Please retain your proof of purchase. Your receipt/invoice or commissioning certificate is your warranty and will be required to validate any warranty.

E.&O.E.

In the interest of continued product improvement, Malmet (Australia) Pty Ltd reserves the right to alter specifications without notice.

AUSTRALIAN CONSUMER LAW DISCLAIMER:

Our goods come with guarantees that cannot be excluded under the Australian Consumer Law. You are entitled to a replacement or refund for a major failure and for compensation for any other reasonably foreseeable loss or damage. You are also entitled to have the goods repaired or replaced if the goods fail to be of acceptable quality and the failure does not amount to a major failure.



Manufactured by
Malmet (Australia)
ABN 95 001 717 791

www.malmet.com.au