



**MALMET (AUSTRALIA)
PTY LTD**

Head Office and Customer Service
ABN 95 001 717 791
9-11 McKay Avenue
PO Box 373
Leeton NSW 2705
Phone: +61 2 6953 7677
Email: info@malmet.com.au

Drying Cabinet



Operation, Maintenance and Installation Manual

**Note: Due to Malmet's Policy of continuous product improvement;
design and technical specifications are subject to change without notice.**

Serial Number:	Purchased from:
Date Installed:	Installed by:

It is important that the name from whom you purchased your device and the name of the installer are recorded above. The installer is responsible for the correct installation, start up and demonstrating the operation of this device. They are also responsible for issuing relevant certificates of compliance (these may differ from state to state).



Table of Contents

<i>Foreword</i>	2
<i>Quality Policy</i>	2
<i>Certifications</i>	2
<i>Important Warranty Reminder</i>	2
<i>Malmet Head Office and Factory Contact Details</i>	2
<i>Safety Instructions - Warnings</i>	3
<i>Design Parameters</i>	4
<i>Section A – Device Operation</i>	5
<i>Before starting the Device</i>	5
<i>Starting the Device</i>	5
<i>Changing the set temperature (lock out feature)</i>	6
<i>Thermostat Over Temperature Limiter</i>	6
<i>Section B –Maintenance</i>	7
<i>Preventative Maintenance</i>	7
<i>Trouble Shooting Guide</i>	8
<i>Wiring Diagram</i>	9
<i>Section C – Installation</i>	10
<i>Service Connections</i>	10
<i>Wall Recessed Devices</i>	10
<i>Specifications</i>	11
<i>Warranty Statement</i>	12



Operation, Maintenance and Installation Manual

Foreword

To obtain maximum life and efficiency from your Malmet Drying Cabinet and to ensure safe operation, please read this manual thoroughly and follow all instructions before operating the device.

This manual provides information on the operation of the device. It is recommended that all persons operating the device have access to this manual for training purposes.

This device is not intended for use by any person without the proper training, experience or knowledge.

The specifications supplied in this manual were in effect at the time of publication. However, owing to Malmet (Australia)'s policy of continuous improvement, changes to these specifications may be made at any time without notice on the part of Malmet (Australia).

Quality Policy

Malmet's quality management system is certified to ISO 9001:2015 and ISO 13485:2016 and guarantees the quality of this product.

Certifications

ARTG Registration Number:	188763 Class 1
Electrical Safety:	Certificate of suitability ASA13011501 AS/NZS 60335.1:2011
EMC Compliance:	IEC 60601-1-2 Ed 4.0 Emissions CISPR11

Important Warranty Reminder

Should you have any problems with your device, contact the company from whom you purchased it, or Malmet (Australia) Pty Ltd.

It is important that the name from whom you purchased your device and the name of the installer are recorded on the front page of this manual. The installer is responsible for the correct installation, start up and demonstrating the operation of this device. They are also responsible for issuing relevant certificates of compliance (these may differ from state to state).

Malmet Head Office and Factory Contact Details

Malmet (Australia) Pty Ltd

9-11 McKay Avenue
PO Box 373
LEETON NSW 2705

Telephone: +61 2 6953 7677

E-mail: info@malmet.com.au

Website: www.malmet.com.au



Safety Instructions - Warnings



Be aware of 240 Voltage.



Disconnect power when serving.



Mains power GPO must be in an accessible position so device can be isolated from mains power during service.



If the supply cord is damaged it must be replaced by a special cord or assembly from the manufacturer or its service agent.



Do not overload shelves.



Do not obstruct air inlets or hot air outlet.



Drying Cabinet should be located on a level floor surface and should never be operated on a sloping surface.



Install temperature probes, thermostat over temp limiter and element thermal over temperature cut-out correctly.



Operation, Maintenance and Installation Manual

Design Parameters

The Drying Cabinet is designed to dry surgical instruments and metalware, respiratory tubes or other tubing, face masks, anaesthetic bags and other ancillary equipment.

A total of six (6) stainless steel shelves are provided. The shelves are removable, with 6 positions including the base.

The Drying Cabinet is insulated with 25mm approved insulation.

Magnetic door latches are fitted with toughened bi-parting glass doors and gasket to ensure an effective seal when the doors are closed.

All external panels are fabricated from satin finish stainless steel 0.9mm thick, 304/4 type.

A centrifugal fan is provided to circulate air throughout the chamber.

A solenoid operated damper is provided to allow air to be exhausted from the chamber. An inlet for make up air is provided.

The heating bank (located in the air duct leading to the chamber) is controlled by a micro-processor, which can be incremental, set to 70°C.

The temperature of the air in the chamber is indicated on the controller mounted on the front panel.

Heating element over temperature cut out protection.

***Section A – Device Operation*****NOTE**

The Drying Cabinet is factory set to 70°C

Before starting the Drying Cabinet

The Drying Cabinet should be run initially on a power supply not protected by an earth leakage circuit breaker for approximately three hours. This will allow any moisture in the heaters to dry out. The Drying Cabinet can then be connected to an earth leakage circuit breaker protected circuit if required.

Plug into standard 240V outlet.



Note: The Drying Cabinet is recommended for use in a controlled temperature environment.

Starting the Drying Cabinet

Power ON, the preset temperature of the cabinet appears for approximately five seconds. After five seconds the unit switches to display the actual cabinet temperature.

Operation, Maintenance and Installation Manual

Changing the set temperature (lock out feature)

AUTHORISED PERSONNEL ONLY

Authorised operators can change the temperature by holding the up and down temperature buttons at the same time for a total of 5 seconds. The temperature can then be adjusted. The setting will revert back to tamper proof 5 seconds after the temperature is adjusted or if the up and down temperature buttons are not pressed within 5 seconds.

The Drying Cabinet has a built in electronic over temperature cut out which will switch off the elements if the selected temperature is exceeded by 5°C, and 'Ot' will flash on the display panel. (See Fig 1)

Thermostat Over Temperature Limiter

Note: This safety cut out is an automatic reset device.

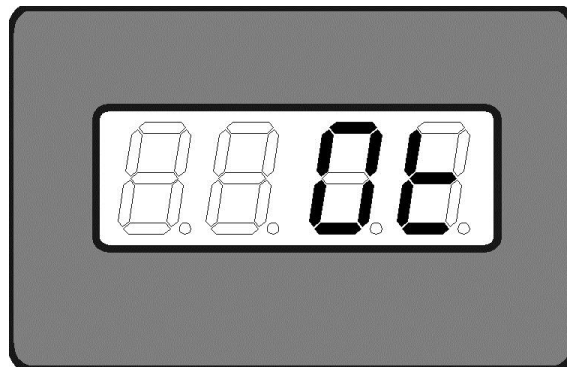


Fig 1

Place instruments and utensils upside down where applicable.




Section B –Maintenance

Preventative Maintenance

- | | |
|-------------|------------------------------------------------------------------------------------------------------------------------------------------------------------------------------------------------------------------------------------------------------------------|
| Daily | Wipe out inside doors and chamber with warm water and detergent.

Wipe over outside panels with stainless steel cleaner. |
| Monthly | Remove Cabinet Air Intake Filter (Mid right hand side panel) and clean, use a vacuum to clean the external side of the filter. (Do not use a mechanical cleaning attachment as this may damage the filtration material and affect the performance of the filter) |
| Half Yearly | Check electrical connections.

Remove top panel and clean off accumulated dust and dirt.
 Note: Disconnect power before removing top panel. |
| Yearly | Check and if necessary replace rubber in tube holding trays.

Replace Cabinet Air Intake Filter. (Part No. 86-4143SP) |



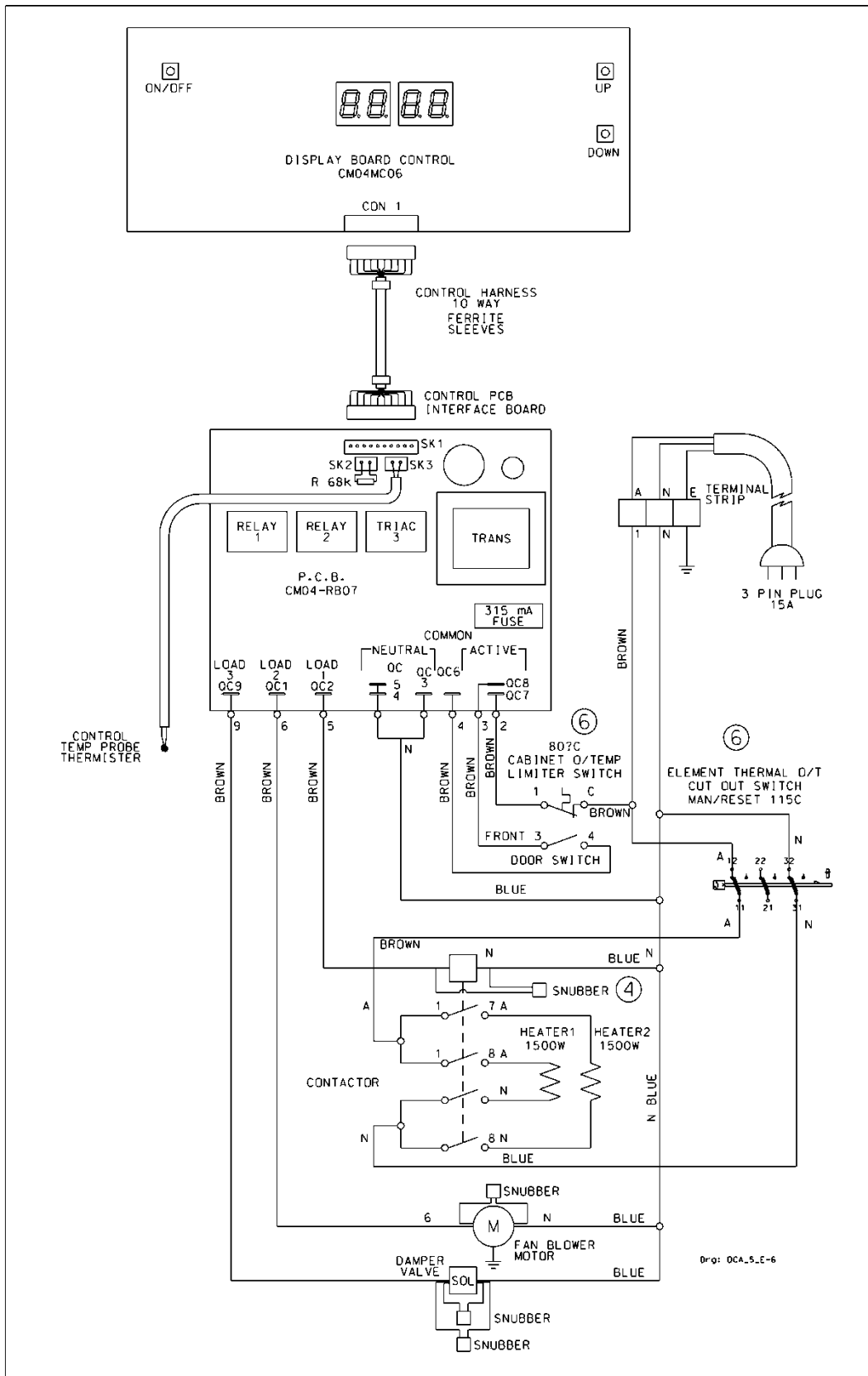
Operation, Maintenance and Installation Manual

Trouble Shooting Guide

Problem	Probable Cause	Suggested Remedy
Display not on or won't turn on.	No Mains power supply. Power point not turned on. Display will not turn on. Faulty display board. Interconnecting harness failure. Relay board fault.	Check power supply and lead plugged in. Check power switched on. Press Standby button. Switch off power supply at main and Call for Service. Switch off power supply at main and Call for Service. Switch off power supply at main and Call for Service.
Display turns on. (Runs for approximately ½ - 1 hour then turns off).	Fan failure.	Switch off power supply at main and Call for Service.
Display is on but unit not heating.	Heating element failure. Relay board failure. Cabinet thermostat O/T limiter auto reset open circuit Element O/T Thermal cut-out manual reset open circuit.	Switch off power supply at main and Call for Service.
Display indicates Ot	Fan Failure. Heating element on. Continuously unable to switch off. (Relay Board Failure)	Switch off power supply at main and Call for Service.
Display indicates O/C	Control Temperature Thermistor is broken or unplugged.	Switch off power supply at main and Call for Service.
Display on but unit cooling down.	Heating element failure. Cabinet thermostat O/T limiter auto reset open circuit Element O/T Thermal cut-out manual reset open circuit. Relay board failure	Switch off power supply at main and Call for Service. Switch off power supply at main and wait 1 minute. Switch mains on. Switch on unit. If problem re-occurs, Call for Service.

Operation, Maintenance and Installation Manual

Wiring Diagram





Operation, Maintenance and Installation Manual

Section C – Installation

The Drying Cabinet must be installed level on adjustable legs.

Service Connections

Provide 98mm OD duct to atmosphere.

Electrical Connection – 240 Volt 15 Amp cycle.

Plug into 15 Amp G.P.O.

Wall Recessed Devices

Plug into standard 240 Volt outlet (plug shall be accessible after installation).

Outside dimensions pass through – 1850H x 755W x 690D.

Clearance space dimensions are required; at least 150mm per side and 500 mm on top.

Drying cabinet sides are to fit through the wall cavity, ensuring that the power cord and filter are not obstructed. Placement should be typically 150mm from the operating panel side doors. A 5-10mm gap between the side panel and the timber is required.

Clearance on the top of the Drying Cabinet needs to be typically 500mm. This allows access to replace the electric motor, heating elements etc. Allowing for this 500mm may require the facility to install a false panel in the dividing wall.

All electrical service work must be accessible through the top of the Drying Cabinet.

Position the Drying Cabinet in the cavity, ensuring that the doors can open and close with clearance for the doors at hinge point.



Note: This Drying Cabinet is not intended for use by persons (including children) with reduced physical, sensory, or mental capabilities, or lack of experience and knowledge.




Children should be supervised to ensure they do not play with the Drying Cabinet.

If the supply cord is damaged, it must be replaced by the manufacturer or its service agent or a similarly qualified person in order to avoid a hazard.



Operation, Maintenance and Installation Manual

Specifications

Electrical Rating	Volts	240V
	Phase / Hz	1 ph / 50 Hz
	Amps	13.8 Amps
Environment operating conditions	Temperature Relative Humidity	+10°C to +25°C +30% to +70%
Electrical Connection	IEC Power Cord with 3 Pin Plug	15 Amp (into standard GPO 240 Volt)
Elements	Rated	1500 watt x 2
	Over temp cut out protection	Manual reset thermal cut-out switch NC 115°C Action 2 B,K
Control PCB	Microprocessor Control Relay	PCB (SKCM325) Access via compatible RS232
	Overtemp Protection	Electronic cutout @ 5°C above set point
Cabinet Temperature Control	Incremental 1°C – 70°C	Factory set at 70°C
Cabinet Secondary Overtemp Protection	High Limit 80°C	Auto reset thermostat factory set 80°C Action 2 B
Materials	Doors	Bi-parting, protruding 330mm out when open.
	Door Gasket	Silicon Rubber
	Cabinet	304/4 stainless steel
Air Circulation	Air Vent spigot 98Ø outside	Automatic Damper Control, to be vented to outside atmosphere.
	Air Filter	150mm x 150mm x 12mm – Mini Pleat H13 HEPA Filter
	Air Bleed Off	Automatic Damper Control
Environment conditions Transport and Storage	 Fragile  Keep away from rain  Do not stack	



Operation, Maintenance and Installation Manual

Warranty Statement

This warranty is provided, and operates in addition to, the statutory warranties Malmet (Australia) Pty Ltd ("Malmet") provides to any consumer under the Australian Consumer Law (if applicable) or by virtue of any other applicable legislation.

Subject to the following conditions, we provide, from the date of purchase, the following warranty on Malmet devices and spare parts for products manufactured by Malmet and sold in Australia:

- a. Functional components found within the device to be defective in workmanship or material will be repaired or replaced free of charge subject to the periods of warranty specified in the table below.
- b. A decision regarding whether the defective components will be repaired or replaced will be determined at the sole discretion of Malmet or its authorised agents or representatives.
- c. The structural warranty covers any structural components within the device, which fail to perform their intended function due to faulty manufacture or deterioration within the warranty period.
- d. Parts replaced in devices under warranty are warranted for the balance of the original warranty period for that device.

Malmet Devices	
Device Components	Parts & Labour
Structural Guarantee	2 Years from Date of Purchase
All other components	2 Years from Date of Purchase

Malmet Spare Parts
1 Year from Date of Purchase

The installer is responsible for the correct installation, start up and demonstrating the operation of the product. They are also responsible for issuing the relevant certificates of compliance (these may differ from state to state).

CONDITIONS AND EXCLUSIONS

- Device must be installed and commissioned according to Malmet's instructions (outlined in Malmet Operation, Maintenance and Installation Manual) and operated to the purpose it was designed.
- Device must be serviced as instructed in the Operation, Maintenance and Installation Manuals.
- To the extent permitted by law, this warranty shall not cover damage, malfunction or failure resulting from accident, misuse or misapplication, improper or unauthorised repair, neglect or modification or use of unauthorised replacement parts or accessories, inclusive of detergent, or improper voltage. The warranty may be void if the serial number is removed or altered.
- Parts damaged in transit back to Malmet Leeton due to poor packaging could result in warranty claim being rejected in part or in full.
- Any part tampered with or which has been altered by unauthorised repairs and/or modifications will be rejected under a warranty claim to the extent permitted by law (to the extent the Australian Consumer Law applies, Malmet will assess the extent to which the tampering or unauthorised repairs contributed to the failure).
- Reasonable access must be allowed for maintenance. If any additional equipment is needed to provide access to the device, this must be provided (and paid for) by the owner.
- It is the owner's responsibility to provide safe access to the device. Malmet, or any of its authorised service agents, may refuse to perform maintenance or warranty work if access is unsafe, as determined by Malmet or any of its authorised service agents acting reasonably.
- Should a warranty claim be rejected you will be advised in writing with a full explanation of our reasons.



Operation, Maintenance and Installation Manual

- Malmet have a Warranty Claim Procedure that is fair to our customers and provides an efficient system of replacement and/or repair of faulty parts. If at any time you believe we are not meeting our commitment to you please contact Malmet Head Office via email: info@malmet.com.au
- To the extent permitted by law, no responsibility will be accepted for outside elements including, but not limited to storms, pest and vermin that may cause damage to the device.
- To the extent permitted by law, no responsibility will be accepted for damage incurred as a result of, or incidental to, electrical surges or brown outs or for any other consequential damages.
- If there is no certificate of compliance for plumbing or electrical, Malmet reserves the right to refuse service on non-compliant installations.
- To the extent permitted by law, claims for damage to contents, carpet, ceilings, foundations or any other consequential loss either direct or indirect resulting from, power spikes, incorrect operation, incorrect installation, faulty product or any other cause, are excluded.
- This warranty, and to the extent permitted by law, any warranties owed by Malmet under the Australian Consumer Law or other applicable legislation, are not transferrable and cannot be sold, assigned or transferred in any other way from the purchaser to any other person.
- To the extent permitted by law, unauthorised use of any parts that were not supplied or approved for use in the applicable device by Malmet will result in this warranty and any warranty claims applicable to that device being void.
- Warranty labour (service work) shall not include devices located outside of city metropolitan areas of Melbourne, Sydney, Adelaide, Perth and Brisbane. Costs outside these areas shall be borne by the owner. The owner shall be notified of this prior to the warranty call out.
- Warranty labour (service work) shall be performed during normal business hours (Monday – Friday 7am – 4pm), excluding public holidays.

To the extent permitted by law, a charge will be made for work done or a service call made where:

- There is no default apparent with the device, as determined by Malmet or its authorised representative or agent acting reasonably.
- The defective operation of the device is due to failure of electricity or water supply.
- Defects are caused by neglect, incorrect application, abuse or by accidental damage of the device.
- An unauthorised person has attempted to repair the device.
- Harsh environmental situations including, but not limited to, water quality that may cause the water tank damage cannot be covered under this warranty.

How to make a claim under this warranty

If you believe there is a defect in a device you have purchased from Malmet, you must notify Malmet in writing of such defect, by sending an email (**Notice of Defect**) to info@malmet.com.au prior to the expiration of the applicable warranty period set out in this warranty.

For the avoidance of doubt, Malmet must receive your Notice of Defect prior to the expiration of the warranty period.

To the extent permitted by law, Malmet will not reimburse you for any expense you incur in claiming or attempting to make a claim for repair or replacement of a component under this warranty.



Operation, Maintenance and Installation Manual

Please complete details below:

Date Purchased:	Warranty Expiry Date:
Sold To:	For Service Contact:

PROOF OF PURCHASE

Please retain your proof of purchase (receipt, invoice or commissioning certificate is accepted).

E.&O.E.

In the interest of continued product improvement, Malmet reserves the right to alter specifications without notice.

AUSTRALIAN CONSUMER LAW DISCLAIMER (APPLIES ONLY TO THE EXTENT YOU ARE A 'CONSUMER' WITHIN THE MEANING OF THE AUSTRALIAN CONSUMER LAW):

Malmet goods come with guarantees that cannot be excluded under the Australian Consumer Law. You are entitled to a replacement or refund for a major failure and for compensation for any other reasonably foreseeable loss or damage. You are also entitled to have the goods repaired or replaced if the goods fail to be of acceptable quality and the failure does not amount to a major failure.



Manufactured by

Malmet (Australia) Pty Ltd

ABN 95 001 717 791

www.malmet.com.au