



**MALMET (AUSTRALIA)
PTY LTD**

Head Office and Customer Service
ABN 95 001 717 791

9-11 McKay Avenue
PO Box 373
Leeton NSW 2705

Phone: +61 2 6953 7677
Email: info@malmet.com.au

Front Loading Utensil Washer Disinfector

Models WDF-3020



Spare Parts Catalogue

*Note: Due to Malmet's Policy of continuous product improvement;
design and technical specifications are subject to change without notice.*



Table of Contents

<i>Layout - Front View</i>	2
<i>Layout - LH Side View</i>	3
<i>Layout - RH Side View</i>	4
<i>Layout - Rear View</i>	5
<i>Layout - Isometric View</i>	6
<i>Layout - Base Assembly</i>	7
<i>Layout - Top Panel</i>	8
<i>Layout - Main Electrical Components</i>	9
<i>General Components</i>	10

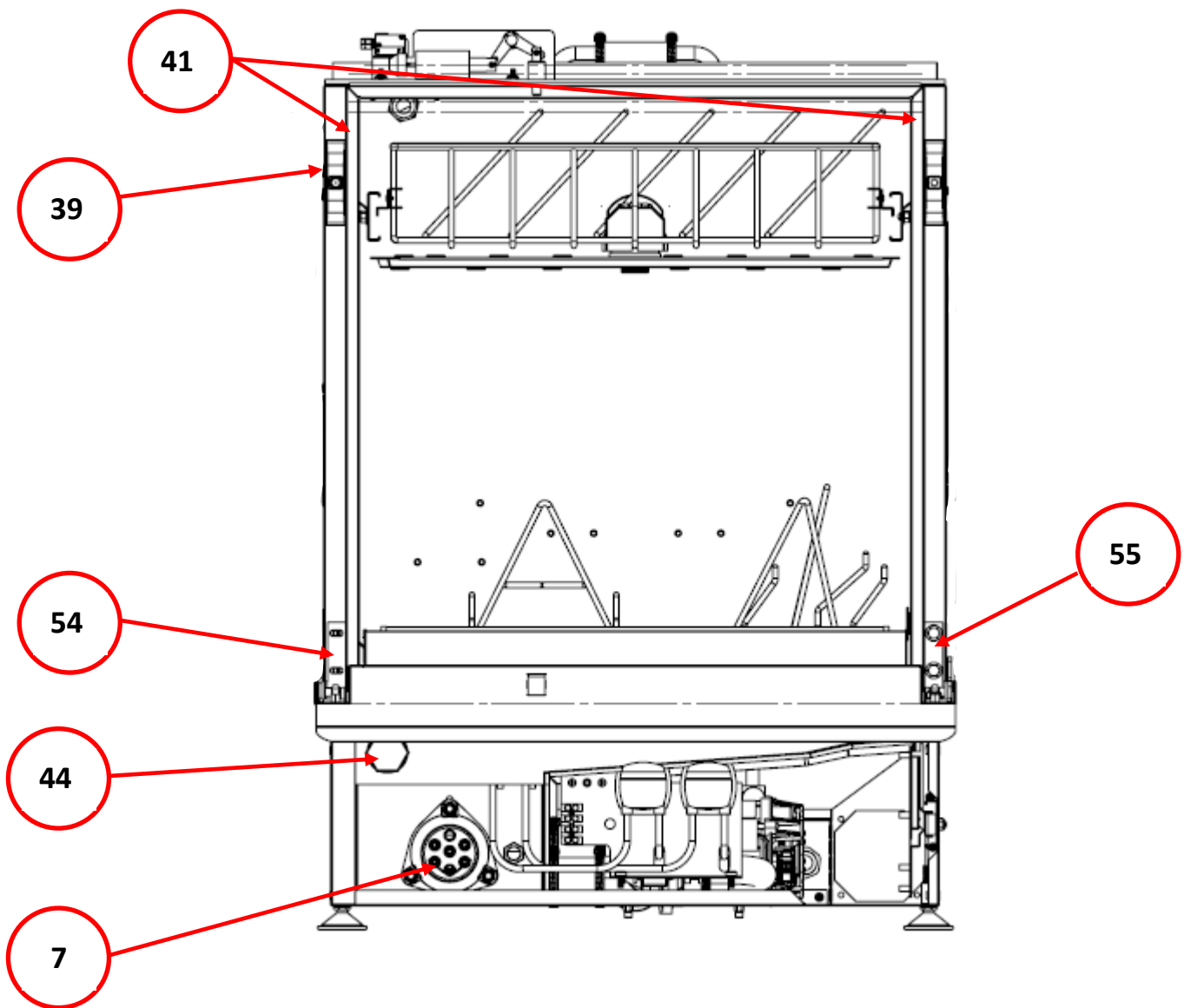
Note: *Not all numbered parts listed in this catalogue are displayed on the Layout views.*

In the interest of continued product improvement, MALMET (AUSTRALIA) reserves the right to alter specifications without notice. E. & O. E.

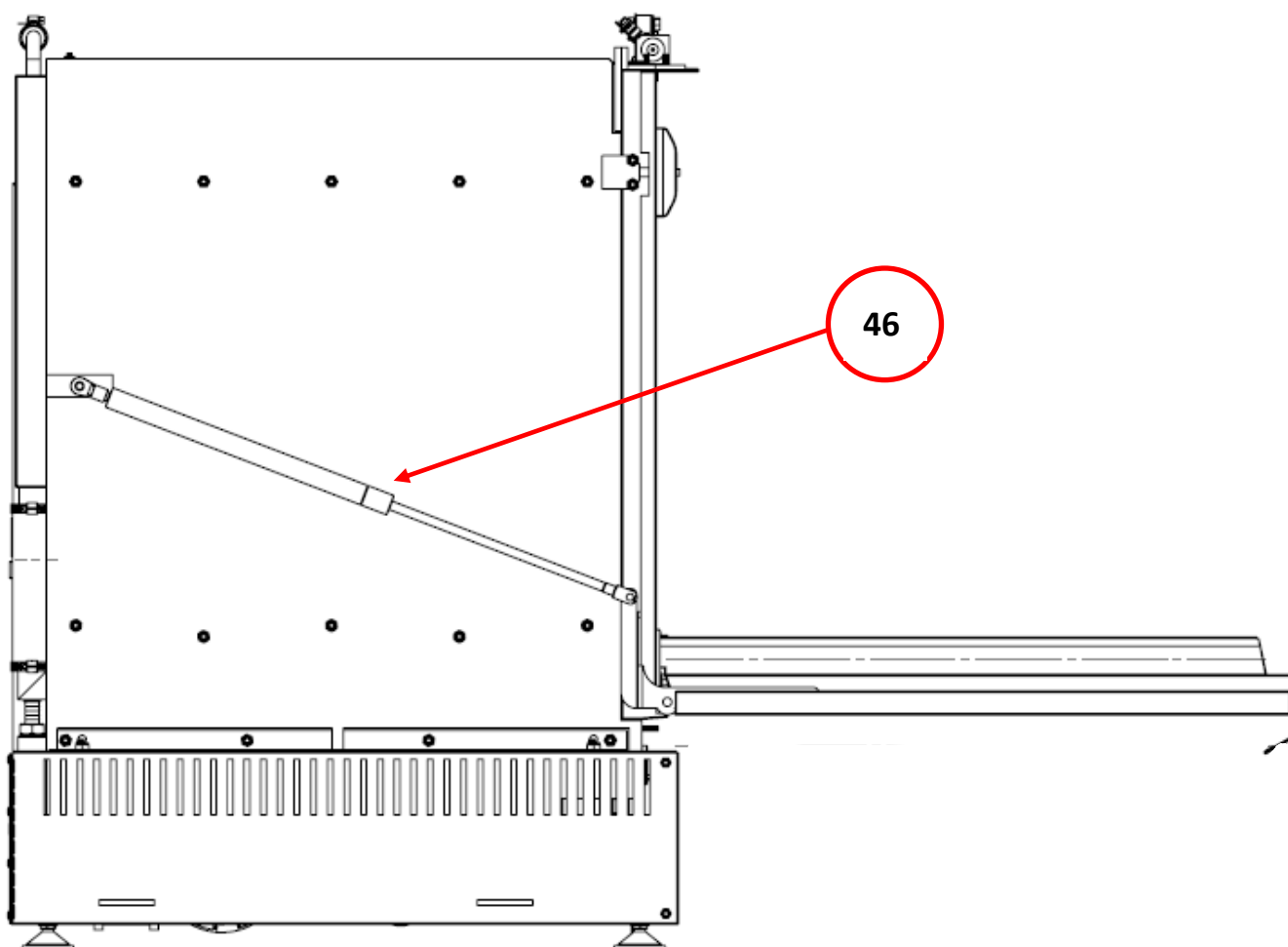
Text and illustration © Copyright MALMET (AUSTRALIA) 2020

All rights reserved. No part of this document may be reproduced or transmitted in any form or by any means, electronic or mechanical, including photocopying, recording or by an information storage and retrieval system, without prior permission in writing from Malmet (Australia)

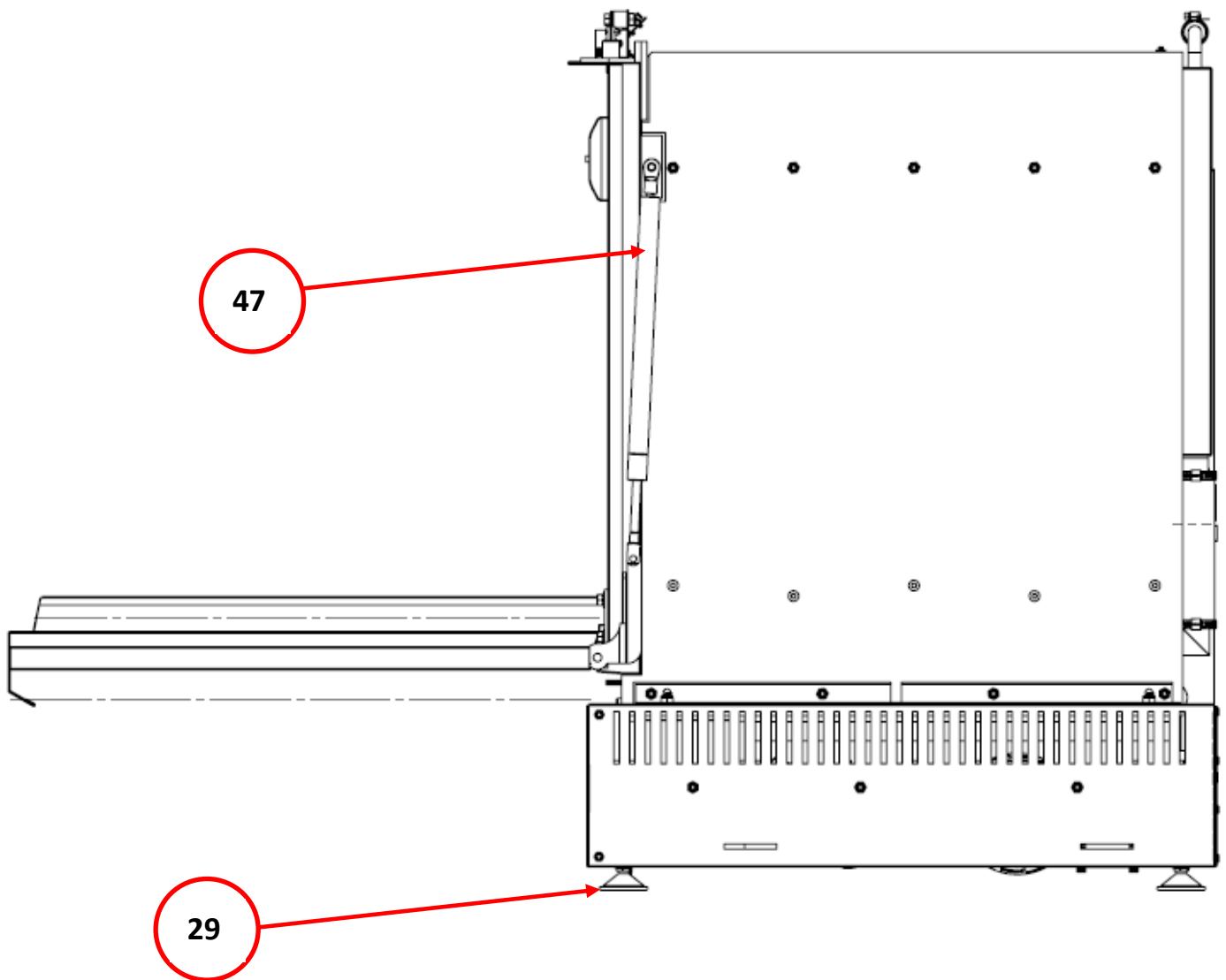
Layout - Front View



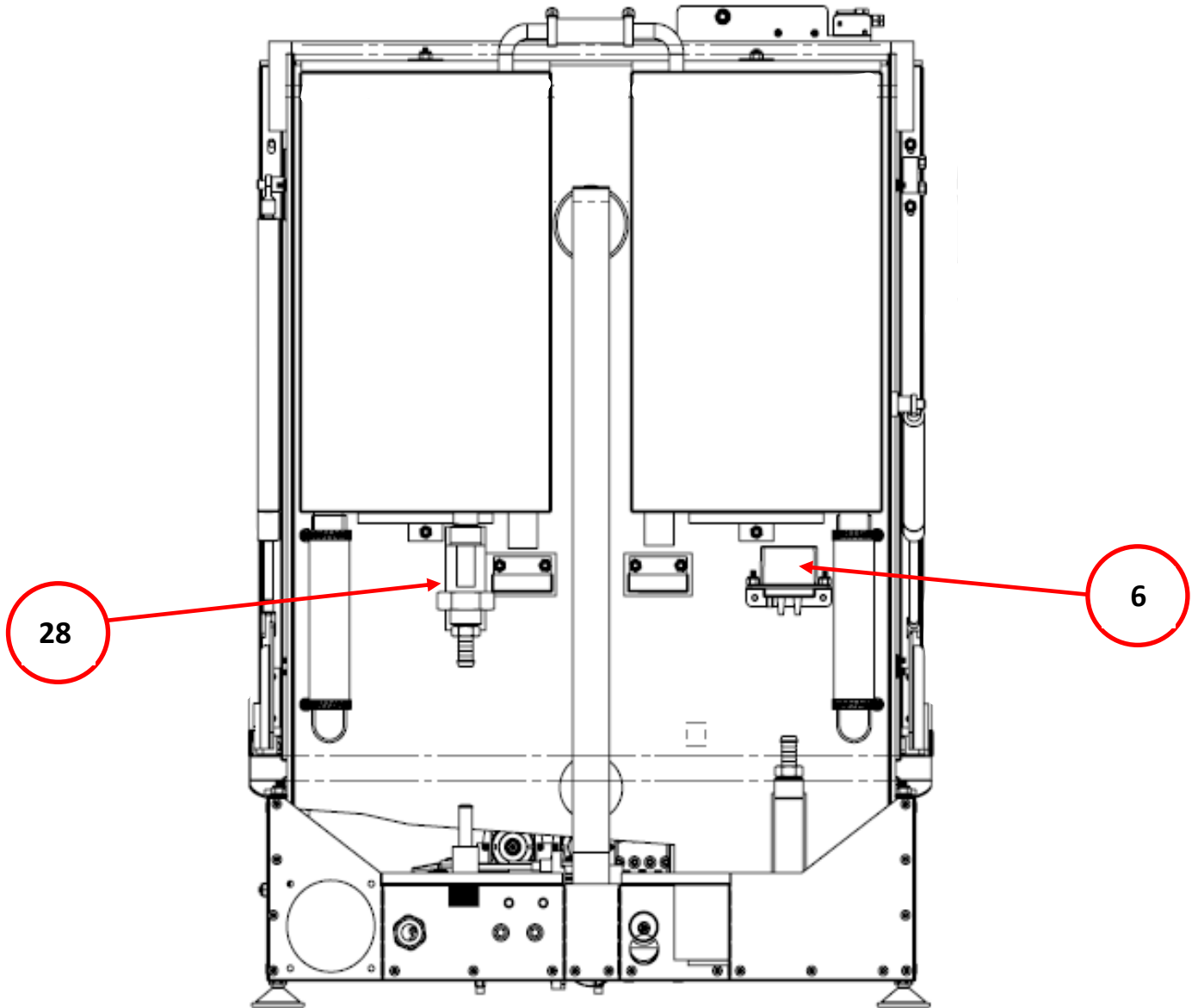
Layout - LH Side View



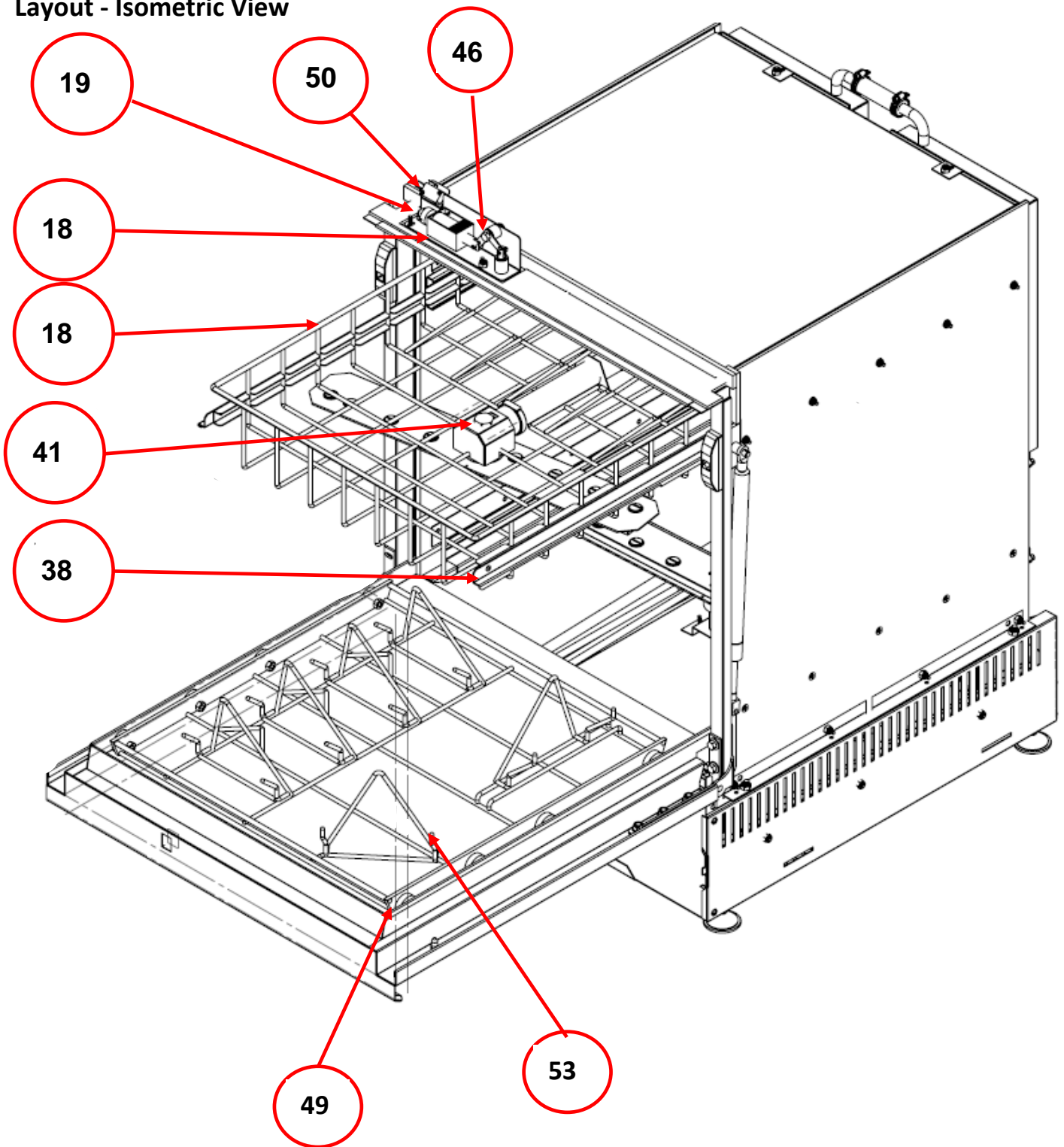
Layout - RH Side View



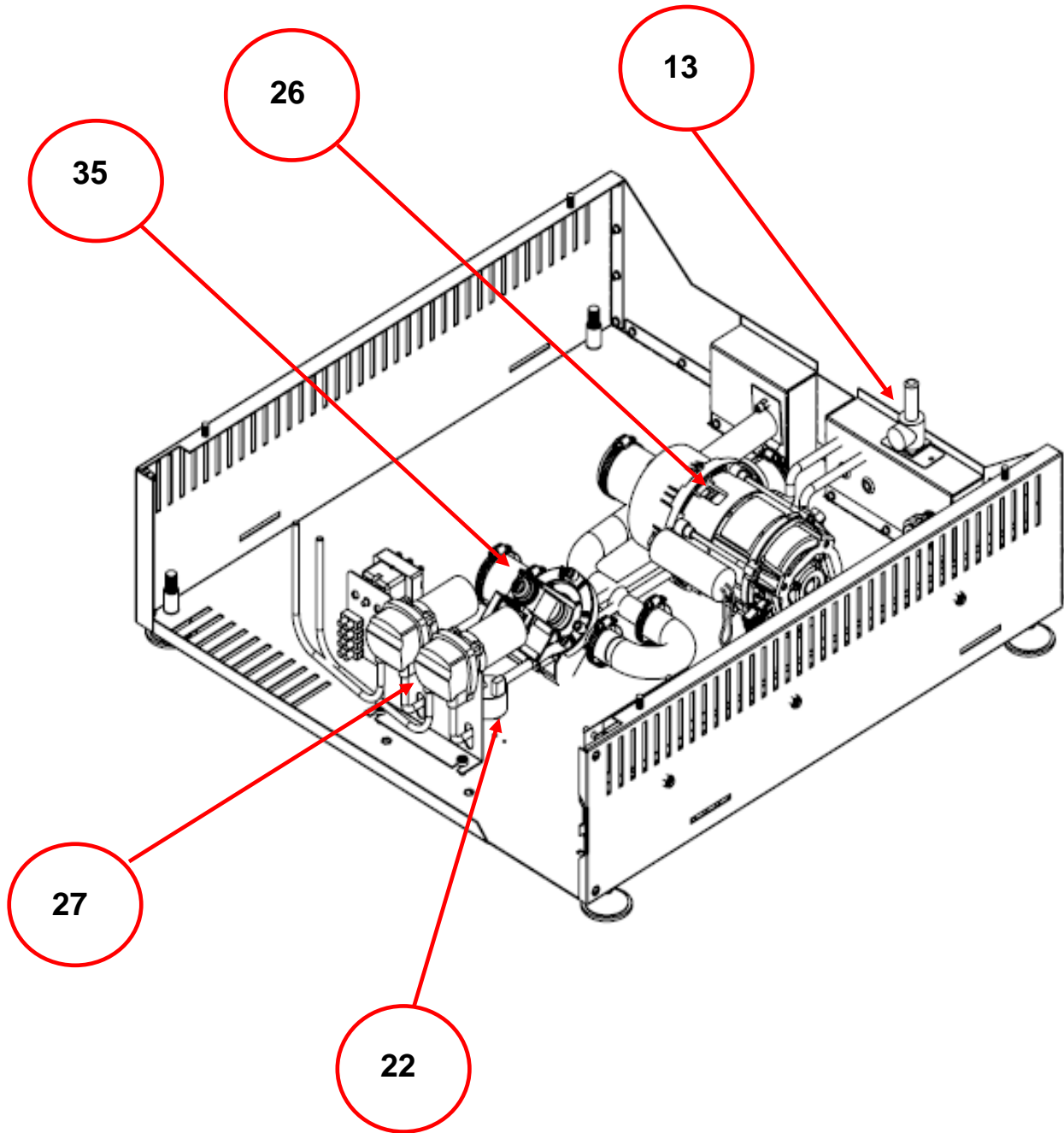
Layout - Rear View



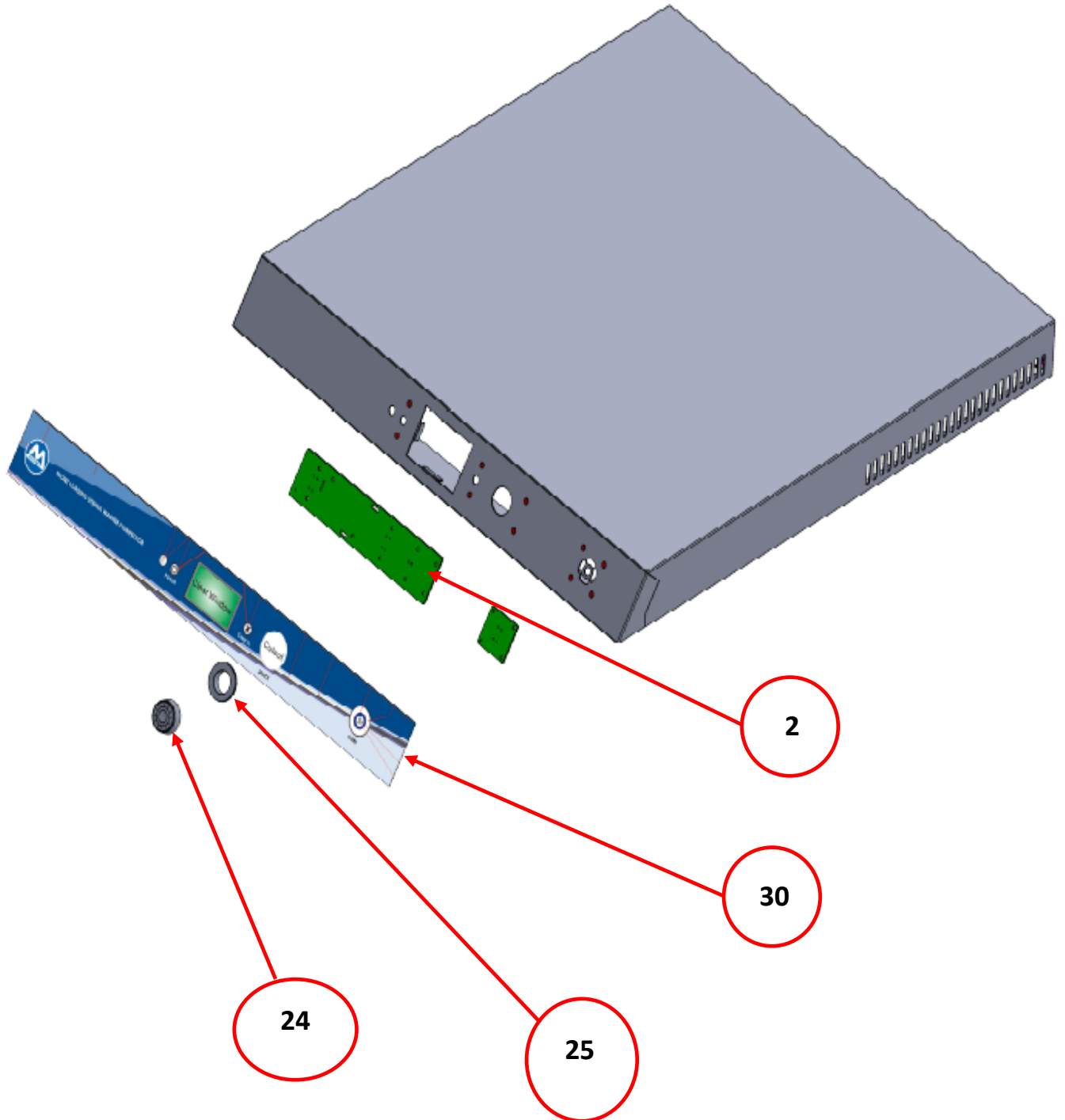
Layout - Isometric View



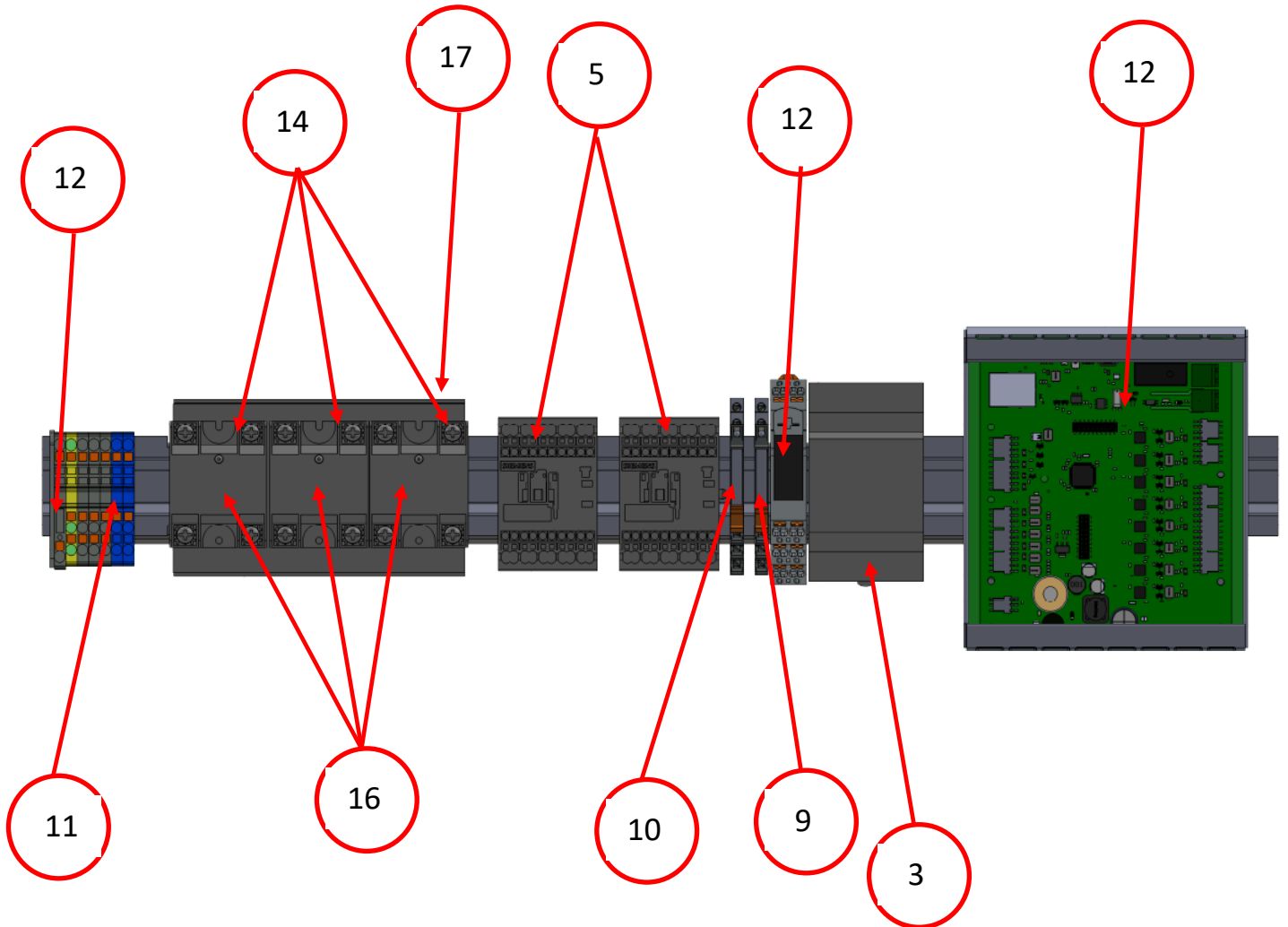
Layout - Base Assembly



Layout - Top Panel



Layout - Main Electrical Components





General Components

#	Part Number	Description	#	Part Number	Description
1	95-3001SP	MAIN CONTROLLER PCB	2	95-3002SP	HMI MODULE
3	95-3003SP	24V POWER SUPPLY HDR-60-24	4	95-3004SP	CT CLAMP CTSCMWH30
5	95-3005SP	CONTACTOR 3RT2017-2B41	6	95-3006SP	PRESSURE SENSOR V2
7	95-3007SP	ELEMENT RICA GEL7ER49	8	95-3013SP	SINGLE RELAY - HF115FK/24-2ZS43
9	95-3015SP	12 V MINIATURE PLUG IN RELAY HF41F/12-ZSTG	10	95-3017SP	24V MINIATURE PLUG IN RELAY HF41F/24-ZSTG
11	95-3018SP	PLUG-IN BRIDGE – DFB2.5-02P-11-00A(H)	12	95-3019SP	FUSE PLUG - P-FU- 5X20 LED 250-5, 3209264
13	95-3026SP	24V WATER INLET SOLENOID ELBI TYPE 329 24V	14	95-3066SP	SOLID STATE RELAY LND2425
15	95-3067SP	HEAT TRANSFER PAD SUIT HSP-2	16	95-3068SP	INSULATING COVER KS101
17	95-3069SP	HEAT SINK DIN MOUNT HS103DR	18	95-3079SP	DOOR LOCK SOLENOID
19	95-3080SP	DOOR LOCK SWITCH D3V-165-1C5	20	95-3112SP	HMI CABLE V2 USB
21	92-3143SP	FUSE 3.15A SLOW BLOW	22	91-3195SP	FM-HL3012-POM FLOW SENSOR
23	91-3059SP	ELEMENT OVER TEMP SWITCH 115°C	24	95-3051SP	CONTROL DIAL
25	95-3052SP	CONTROL DIAL INSERT	26	95-3000SP	WASH PUMP CP50
27	95-3058SP	DETEGENT PUMP KHS-SV3N16			



Spare Parts Catalogue

#	Part Number	Description	#	Part Number	Description
28	95-3023SP	DCV DUAL CHECK VALVE MODEL 700 15MM AS/NZS 2845.1	29	95-3025SP	M10 LEVELLING FOOT SET OF 4
30	95-3027SP	WDF FASCIA OVERLAY	31	95-3035SP	WASH ARM SPINDLE
32	95-3036SP	WASH ARM NUT	33	95-3037SP	WASH ARM 90° MOUNTING
34	95-3038SP	WASH ARM HUB	35	95-3049SP	DRAIN PUMP HANNING DPS25-429
36	95-3056SP	OV25 CHECK VALVE	37	95-3057SP	O-RING BS120 SILICONE 70 DURO 1" X 2.54
38	95-3059SP	DRAW SLIDE (45KG - 500MM S/STEEL)	39	95-3061SP	DOOR LOCK CATCH
40	95-3062SP	DOOR LOCK CATCH STUD	41	95-3078SP	DOOR SEAL
42	95-3087SP	GAS STRUT: HEAVY DAMPENING	43	95-3088SP	GAS STRUT: STANDARD DAMPENING
44	95-3089SP	VALIDATION PORT BLANKING PLUG	45	95-3094SP	DOOR LOCK PIN (BRASS)
46	95-3095SP	DOOR LOCK ROCKER	47	95-3101SP	3/8" HEX PLUG STAINLESS STEEL
48	95-3102SP	BASKET DRAW RAIL	49	95-3143SP	BOTTOOM RACK ROLLER
50	95-3144SP	DOOR LIMIT SWITCH STRIKER	51	95-3146SP	HOSE DRAIN - CORRIGATED PLASTIC 2M 20-25MM
52	95-4021SP	TOP BASKET ASSEMBLY	53	95-4023SP	BOTTOM RACK ASSEMBLY
54	95-4011SP	DOOR HINGE LEFT HAND ASSEMBLY	55	95-4012SP	DOOR HINGE RIGHT HAND ASSEMBLY
56	95-3014	12/24V MINIATURE RELAY MODULE - 41F-1Z-C4-1	57	95-3012	RELAY MODULE 14FF-2Z-C4



Manufactured by
Malmart (Australia)
ABN 95 001 717 791