



MALMET (AUSTRALIA)
PTY LTD

**EXTENDED
WARRANTY**

New Product

105L – Blanket and/or Fluid Warmer

Designed for:

- Facilities with limited space
- Day surgeries
- GP Clinics
- Aged Care
- Laboratories
- Facilities with low demand
- Flexible solution

Malmet has added a benchtop warming cabinet to the existing warming cabinet family of products. As with all Malmet products the 105 Litre warming cabinet comes with a 2 year parts and labour warranty*



For further information contact your local Business Development Manager or Customer Service.

*For full terms and conditions and warranty statement see the Malmet website.



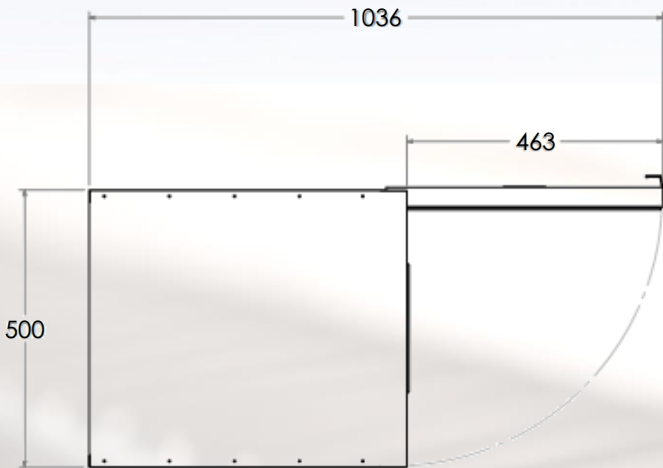
Supporting Australian
Manufacturing/Jobs/Families

Issue: 0519-01

Contact us today
Phone: +61 2 6953 7677
info@malmet.com.au
www.malmet.com.au

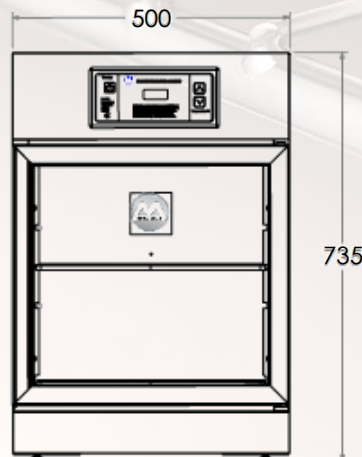
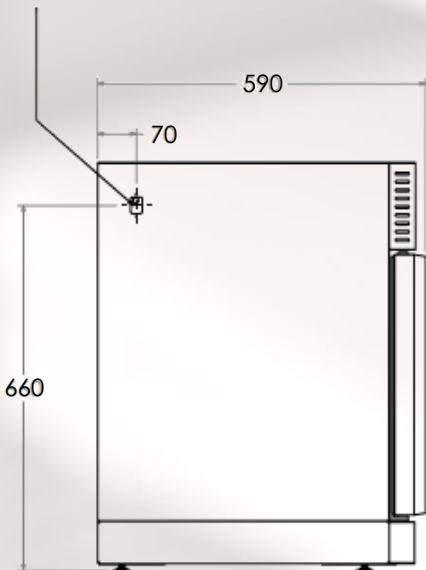


Technical Specifications



Volume	105 Litre
Power Requirement	240V, 2.8A, 1Ø
Capacity Blanket	4 Standard
Capacity Fluid	20 Litre
Temperature Blanket	60°C
Temperature Fluid	37°C
ARTG Certification Blanket	289497
ARTG Certification Fluid	188762

MAINS POWER SUPPLY CONNECTION
 A CERTIFIED 2Mtr POWER CABLE IS SUPPLIED
 FITTED WITH A 3 PIN 10 AMP 250V 50Hz MAIN PLUG



Malmet is a privately owned and operated Australian family business belonging to the Celi Group of Companies.

Malmet has been manufacturing hospital and aged care equipment since 1969, and supplies hospitals and nursing homes throughout Australia and overseas through a comprehensive network of distributors and agents.

All Malmet products are manufactured in Leeton, NSW. The Leeton site is ISO 9001:2015 and ISO 13485:2016 certified.

